



FGH-series

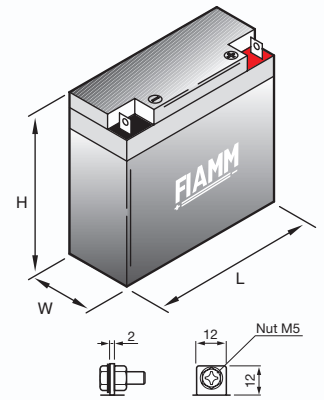
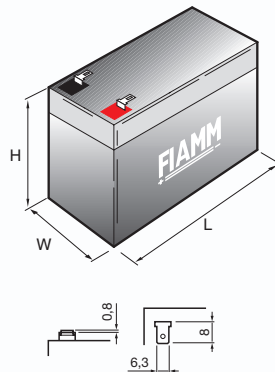
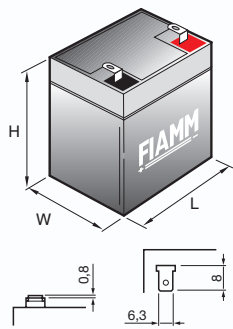
high-rate discharge range

Valve regulated lead-acid batteries

With greater demand for smaller, more powerful UPS units, Fiamm introduces a new generation of high-rate discharge VRLA products. These five-year batteries offer a 40% higher discharge rate than existing models.

Technical information

Battery Model	FGH20502	FGH20501A	FGH20902	FGH21803	FGH22703
Nominal Voltage	12 Volts	12 Volts	12 Volts	12 Volts	12 Volts
Nominal Capacity	5.0 Ah	5.0 Ah	9.0 Ah	18 Ah	27 Ah
Dimensions	90x70x102 mm	151x51x94 mm	151x65x94 mm	181x76x167 mm	166x175x125 mm
with terminals	105 mm	100 mm	99 mm	167 mm	125 mm
Weight	2.0 kg	2.0 kg	2.8 kg	6.4 kg	9.0 kg
Energy Density	93.4 Wh/l	82.8 Wh/l	117 Wh/l	91 Wh/l	89.2 Wh/l
Specific Energy	30.0 Wh/kg	30.0 Wh/kg	28.9 Wh/kg	33.7 Wh/kg	36.0 Wh/kg
Internal Resistance of Fully Charged Battery	18 mΩ	18 mΩ	13 mΩ	7.5 mΩ	7 mΩ
Maximum discharge with standard terminals	30 amperes	30 amperes	54 amperes	108 amperes	162 amperes
Maximum 5-second discharge current	75 amperes	75 amperes	135 amperes	278 amperes	405 amperes
Charge Voltage	Cyclic use 14.4 - 14.7 V Float use 13.5 - 13.8 V	-	14.4 - 14.7 V	14.4 - 14.7 V	-
Maximum Charge Current	1.25 A (C/4)	1.25 A (C/4)	2.25 A (C/4)	4.50 A	7 A
Terminals	Fast-on 6,3	Fast-on 4,8	Fast-on 6,3	Bolt & Nut M5	Bolt & Nut M5
Vibration Test	No loss in capacity or performance (2,000 cycles/minute, 2.5 mm excursion)				
Shelf Life at 20°	1 month 3 months 6 months	97% 91% 82%	97% 91% 82%	97% 91% 82%	97% 91% 82%
Storage Temperature	-20°C to 40°C				
Operating Temperature	Charge	0°C to 40°C			
	Discharge	-20°C to 50°C			
Case Material	Acrylonitrile-Butadiene-Styrene (ABS) UL-94 (V0 plastic available on request)				
Life Expectancy	5 years according to Eurobat standards				





- 1** Terminal
- 2** Valve
- 3** Separator
- 4** Case
- 5** Negative plate
- 6** Positive plate

Valve regulated lead-acid batteries

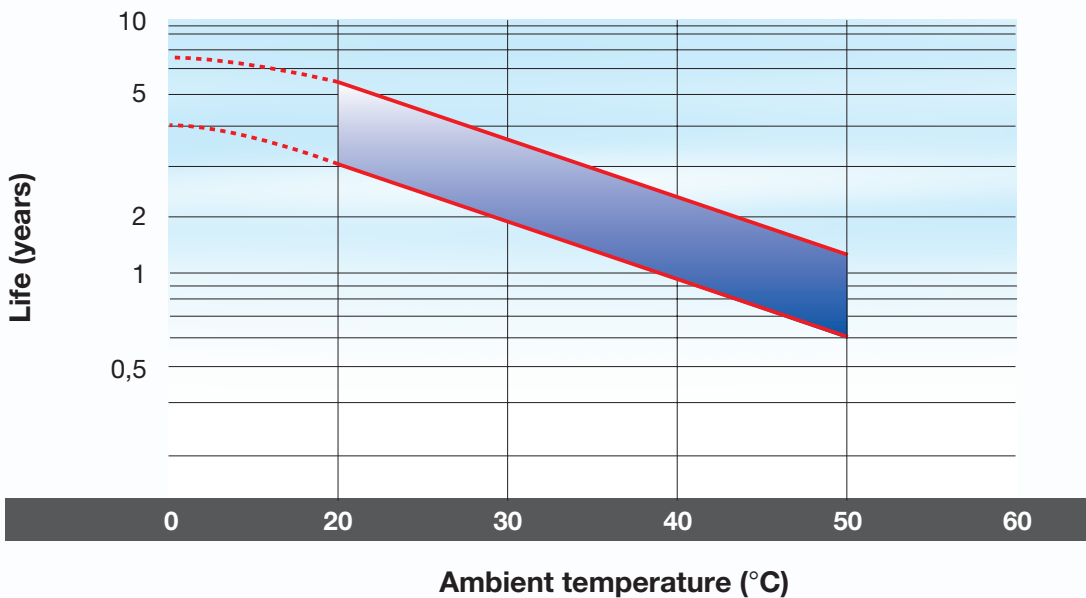
Typical discharge power at 25°C (W)

FGH20502 12V 5Ah						
Time	5'	10'	15'	30'	60'	
1.8 V/Cell	275	185	130	85	48	
1.7 V/Cell	305	200	140	88	49	
1.6 V/Cell	320	205	142	90	50	

FGH20902 12V 9Ah						
Time	5'	10'	15'	30'	60'	
1.8 V/Cell	395	270	220	136	76	
1.7 V/Cell	420	285	225	138	78	
1.6 V/Cell	430	290	230	140	80	

FGH21803 12V 18Ah						
Time	5'	10'	15'	30'	60'	
1.8 V/Cell	684	497	397	254	156	
1.7 V/Cell	790	547	423	267	162	
1.6 V/Cell	850	570	440	270	163	

Life characteristics of stand-by use



FIAMM Sealed Power S.p.A.
 Viale Europa, 63
 36075 Montebelluna Maggiore - VICENZA - ITALY
 Tel. +39 0444 709311 (r.a.) - Fax +39 0444 709360
<http://www.fiamm.com>

